

**IT&T International Patent And Trademark Agent Ltd**  
**智科國際專利及商標代理有限公司**  
<http://www.ittlegal.com.hk>

**Your Ref:**

**Our Ref:** PT/UK/2008022902

Prism Technology Limited  
Unit 408, 4/F., Kai Fuk Industrial Centre,  
1 Wang Tung Street, Kowloon Bay,  
Hong Kong

31 March 2009

Attn: Mr. William LUI

By Post and  
Email (william@prismtechnology.com.hk)

**UK Patent Application No.0807954.3**

**Title: Joystick for Video Game Machine (電視遊戲機用控制手柄)**

Dear William,

We enclose a copy of the specification of the above patent application, as published on 11 March 2009 under No. GB 2 452 584.

Yours sincerely,



IT&T International Patent And Trademark Agent Limited  
Encl.

(21) Application No: **0807954.3**

(22) Date of Filing: **01.05.2008**

(30) Priority Data:

(31) <b>0720171420</b>	(32) <b>07.12.2007</b>	(33) <b>CN</b>
(31) <b>0802824</b>	(32) <b>15.02.2008</b>	(33) <b>GB</b>
(31) <b>0820005859</b>	(32) <b>26.02.2008</b>	(33) <b>CN</b>

(51) INT CL:  
**A63F 13/02** (2006.01) **G06F 3/039** (2006.01)  
**A63H 33/00** (2006.01)

(56) Documents Cited:  
**US 20060154726 A1** **US 20010024973 A1**  
**Eric Caoili, Nov 20 2007, "Wii Light Sword lets you**  
**relive the shame of the Star Wars Kid", Wiifanboy,**  
**[online]. Available from:**  
**<http://www.nintendowiifanboy.com/2007/11/20/wii-light-sword-lets-you-relive-the-shame-of-the-star-wars-kid>**  
**Gerry Block, Jan 3 2008, "Camy Pro Gear Wii Light**  
**Swords Preview", IGN, [online]. Available from:**  
**<http://uk.gear.ign.com/articles/843/843502p1.html>**

(71) Applicant(s):  
**Prism Technology Limited**  
**(Incorporated in China)**  
**Unit 408, 4/F Kai Fuk Industrial Centre,**  
**1 Wang Tung Street, Kowloon Bay,**  
**Hong Kong, China**

(72) Inventor(s):  
**Kam Lim Lui**  
**Prism Technology Limited**

(74) Agent and/or Address for Service:  
**Harrison Goddard Foote**  
**Belgrave Hall, Belgrave Street, LEEDS,**  
**LS2 8DD, United Kingdom**

(58) Field of Search:  
 INT CL **A63F, A63H, G06F**  
 Other: **WPI, EPODOC, TXTE, Internet**

(54) Abstract Title: **Video game glowing accessory**

(57) A video game controller has a glow stick 1 and a handle 2 connected with a remote controller 3 of a host. The glow stick 1 and the handle can be detachably assembled together or integrated, and the glow stick 1 electrically connected with the handle 2 or remote controller 3. The host may be a Wii™. The glow can be coloured blue, red or green. The electrical connection may be sprung terminals (14, fig 2), and the glow stick 1 and a handle 2 joined by a threaded head 4. Batteries are provided in the handle, and LEDs on a PCB in the glow stick 1. A power switch is polled by a micro-computer which controls power up and down of the LEDs. In some embodiments the glow stick can resemble a tennis racket, golf club, baseball bat, sword, steering wheel or a down frame controller.

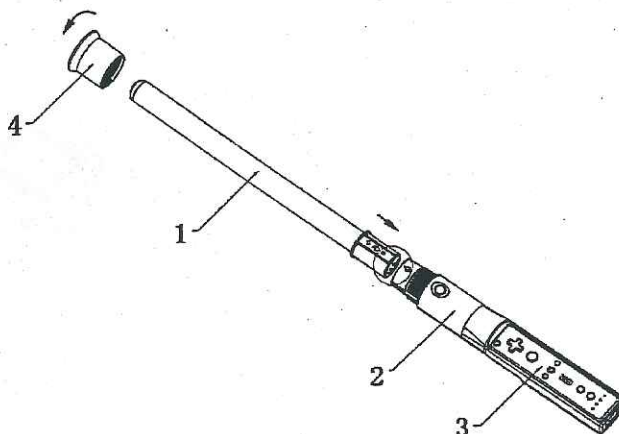


Figure 1-1